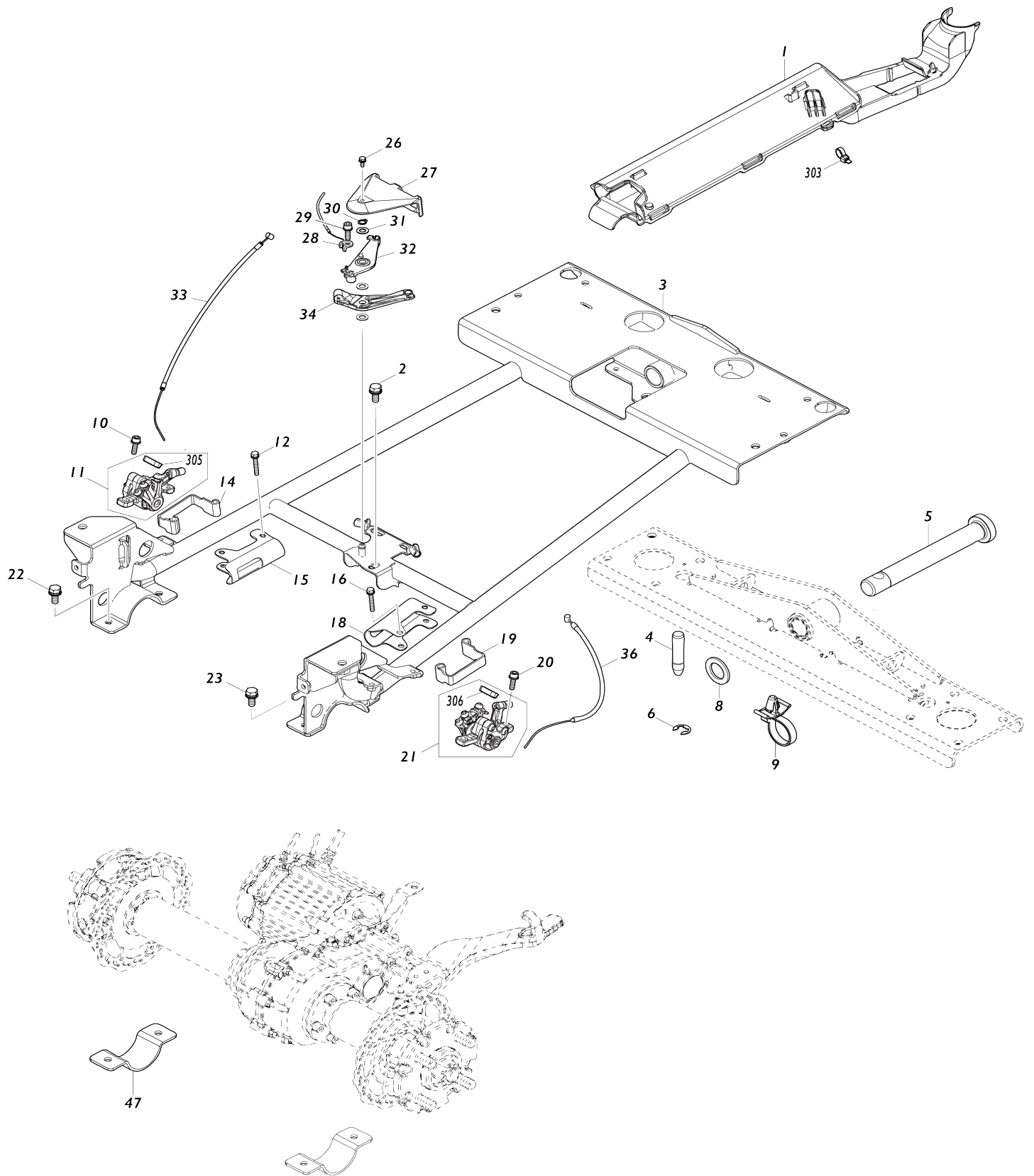
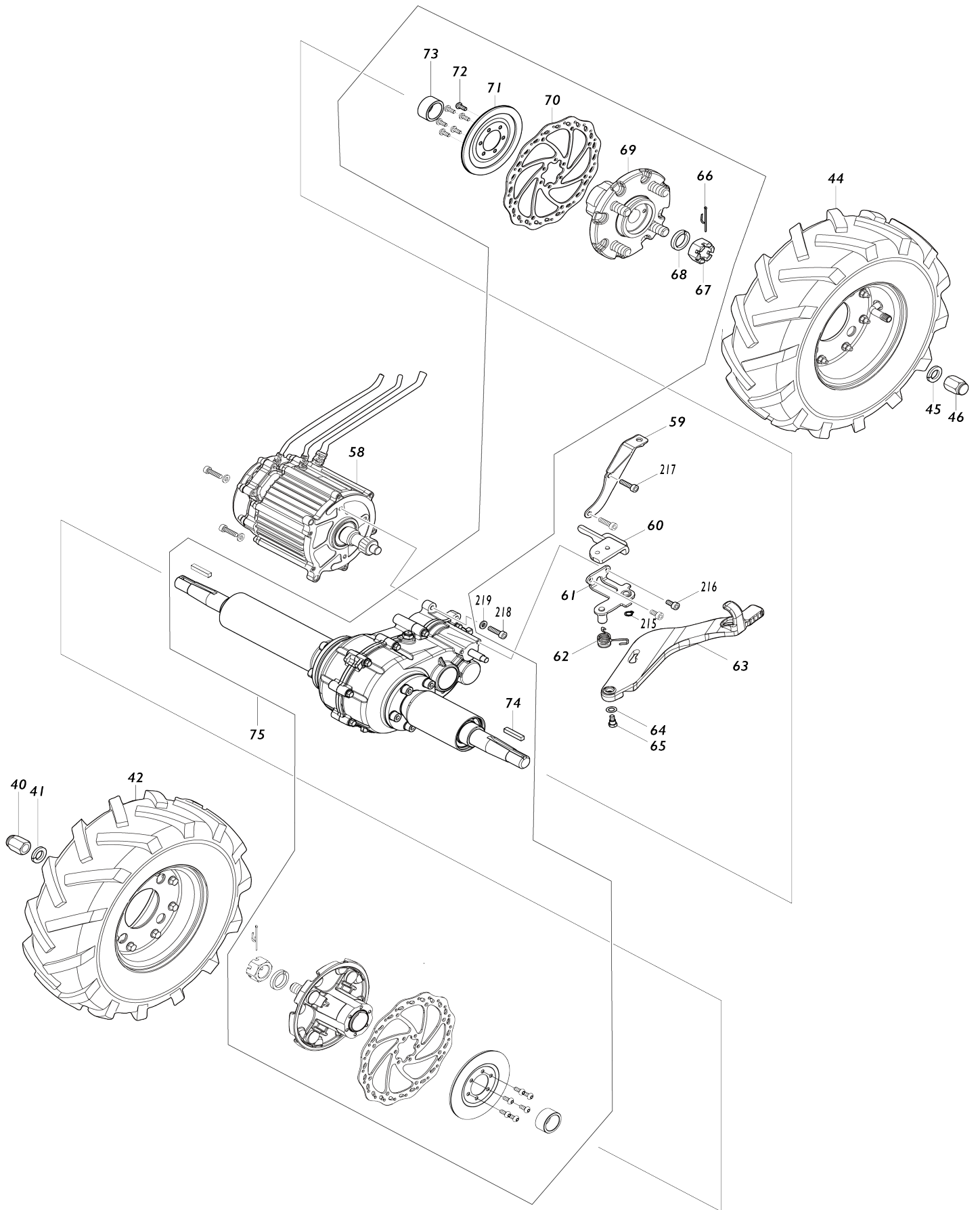


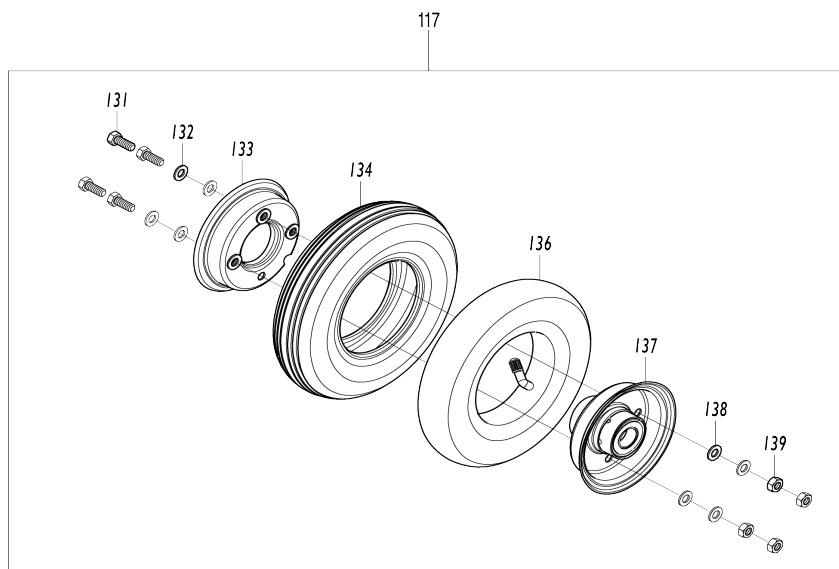
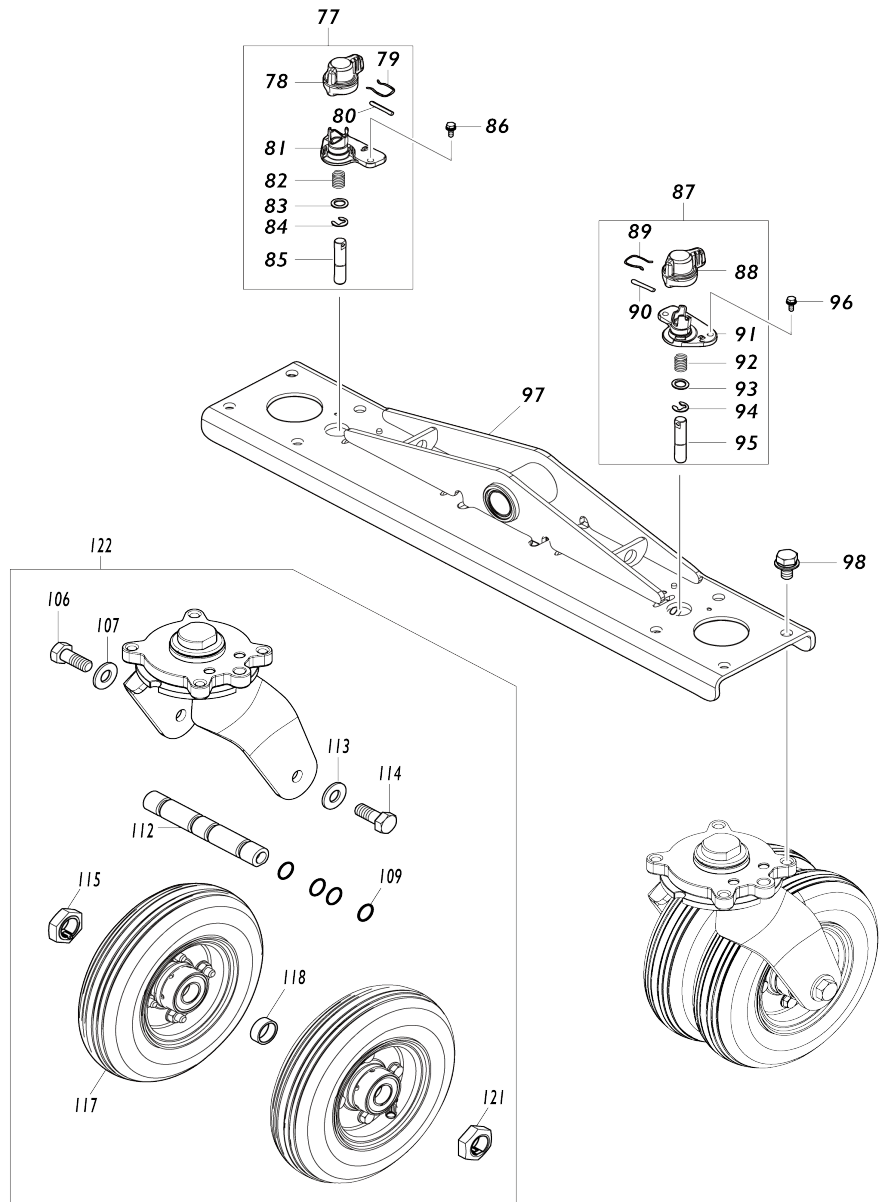
# Model No.DCU605 BATTERY POWERED WHEELBARROW



# Model No.DCU605 BATTERY POWERED WHEELBARROW

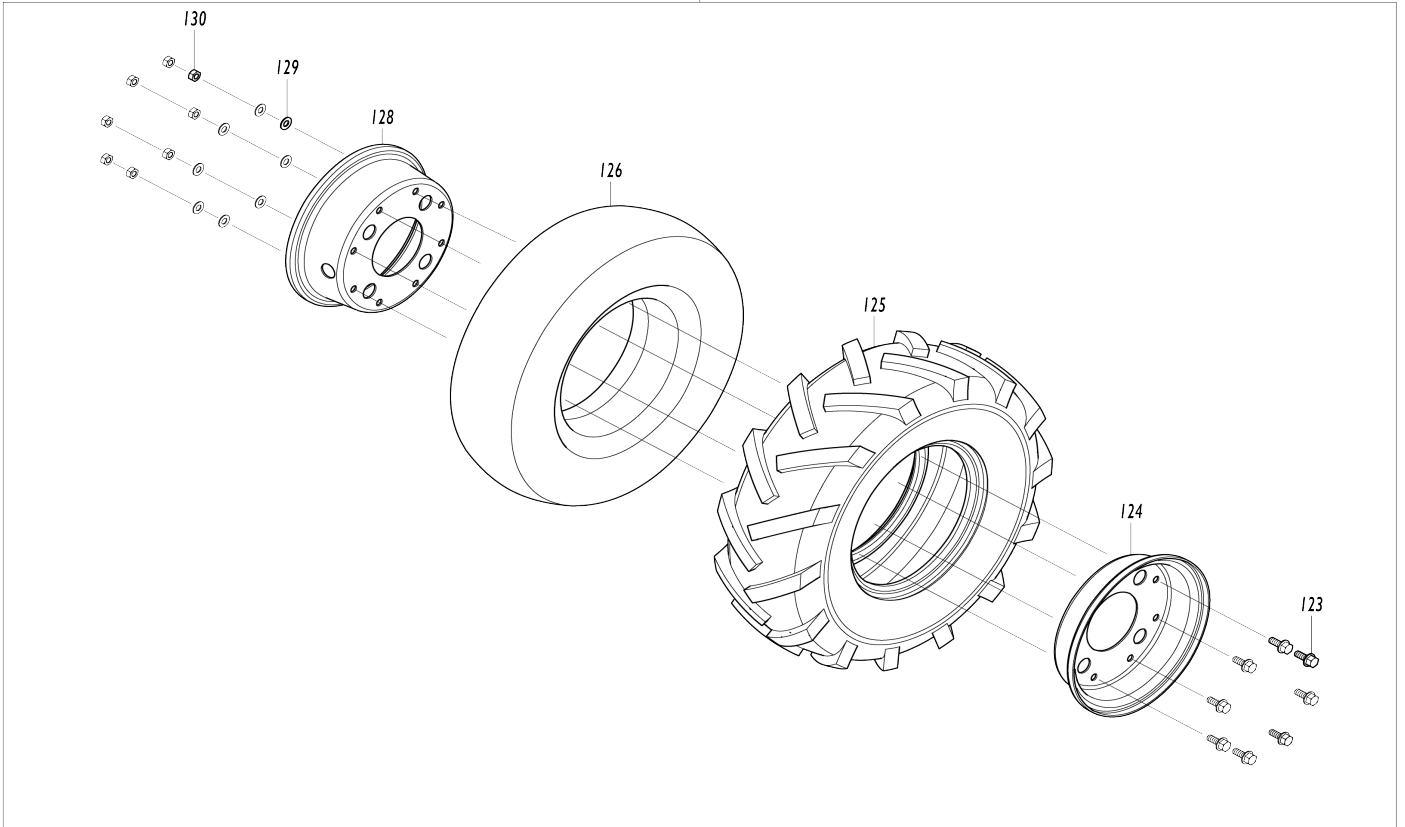


# Model No.DCU605 BATTERY POWERED WHEELBARROW

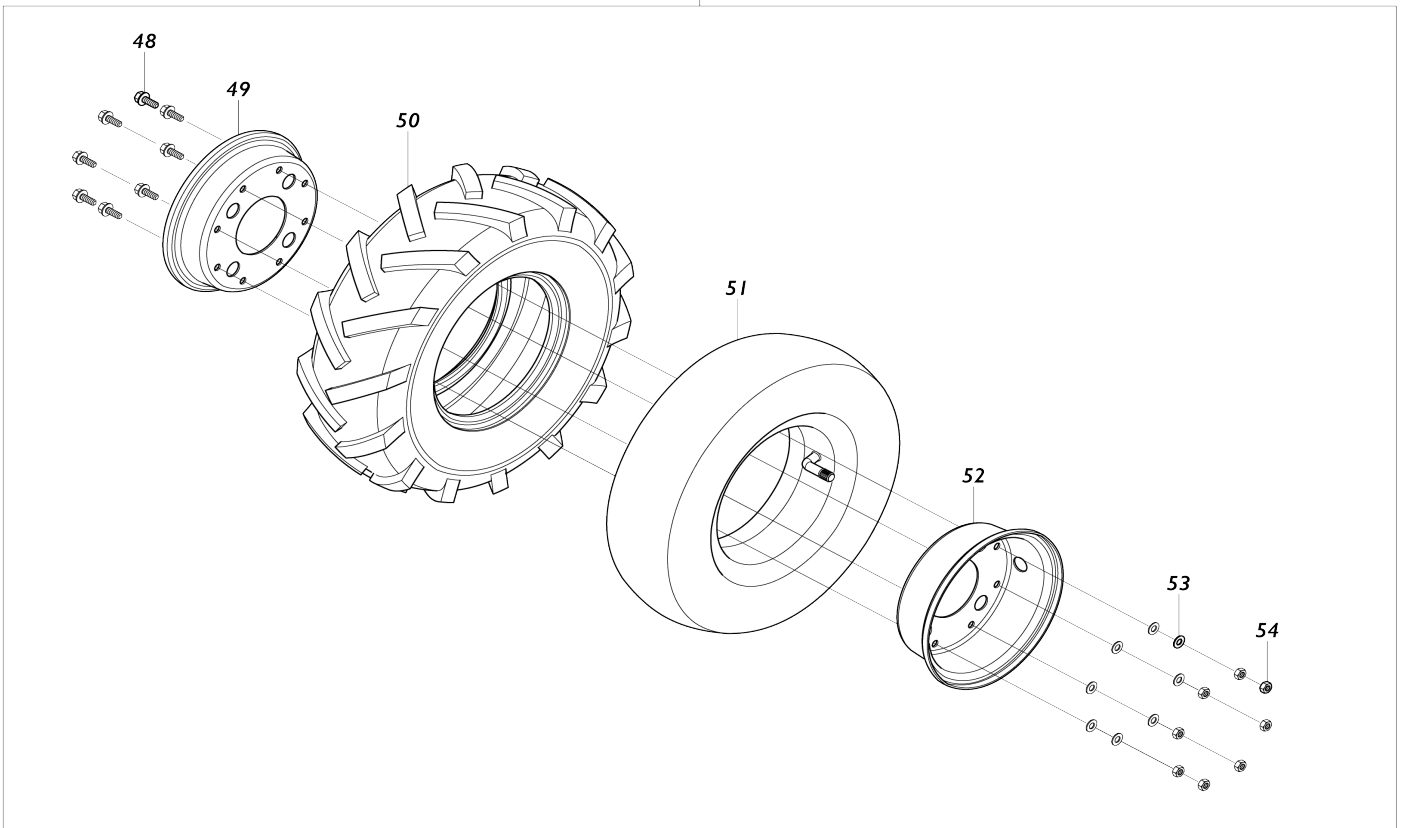


# Model No.DCU605 BATTERY POWERED WHEELBARROW

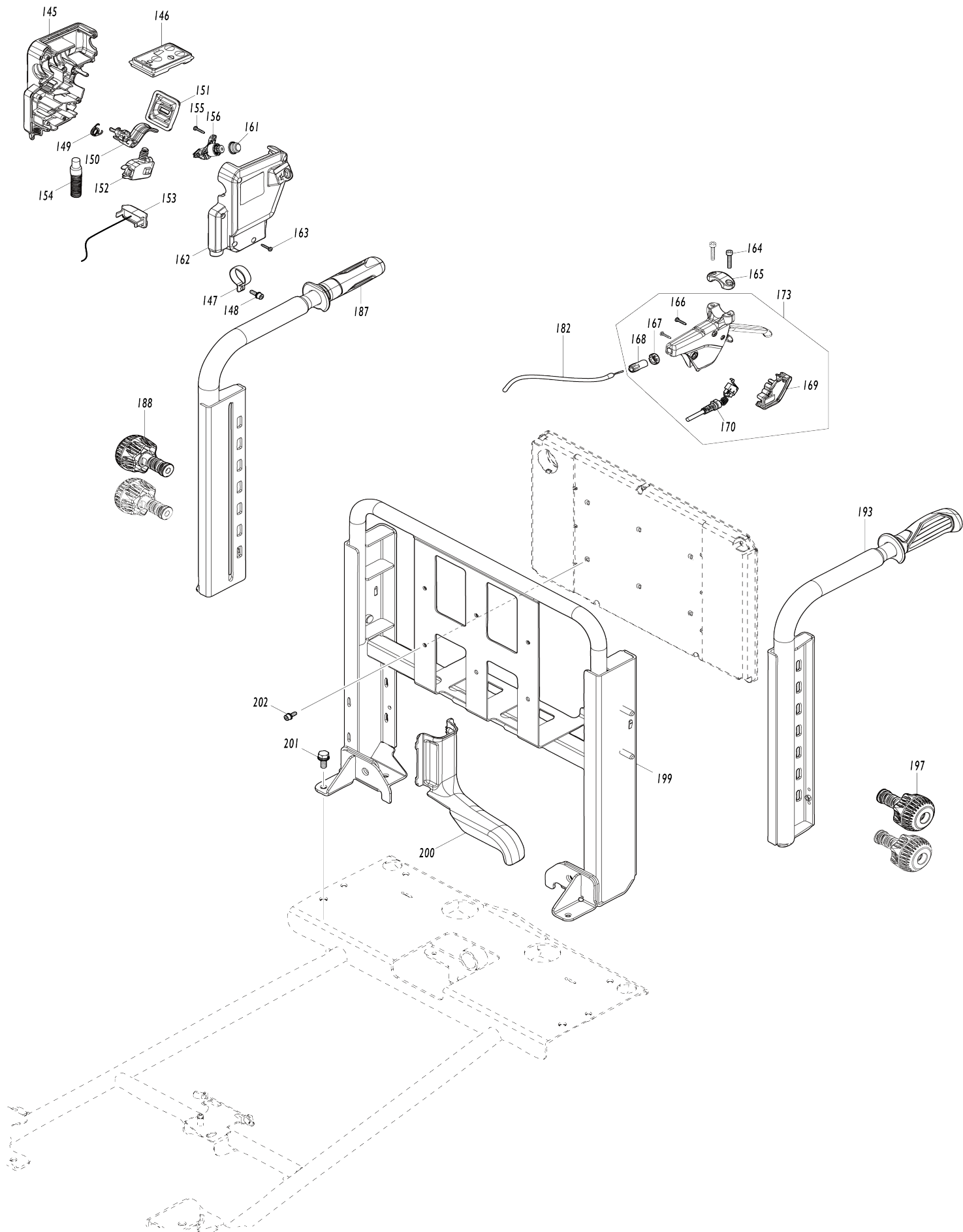
42



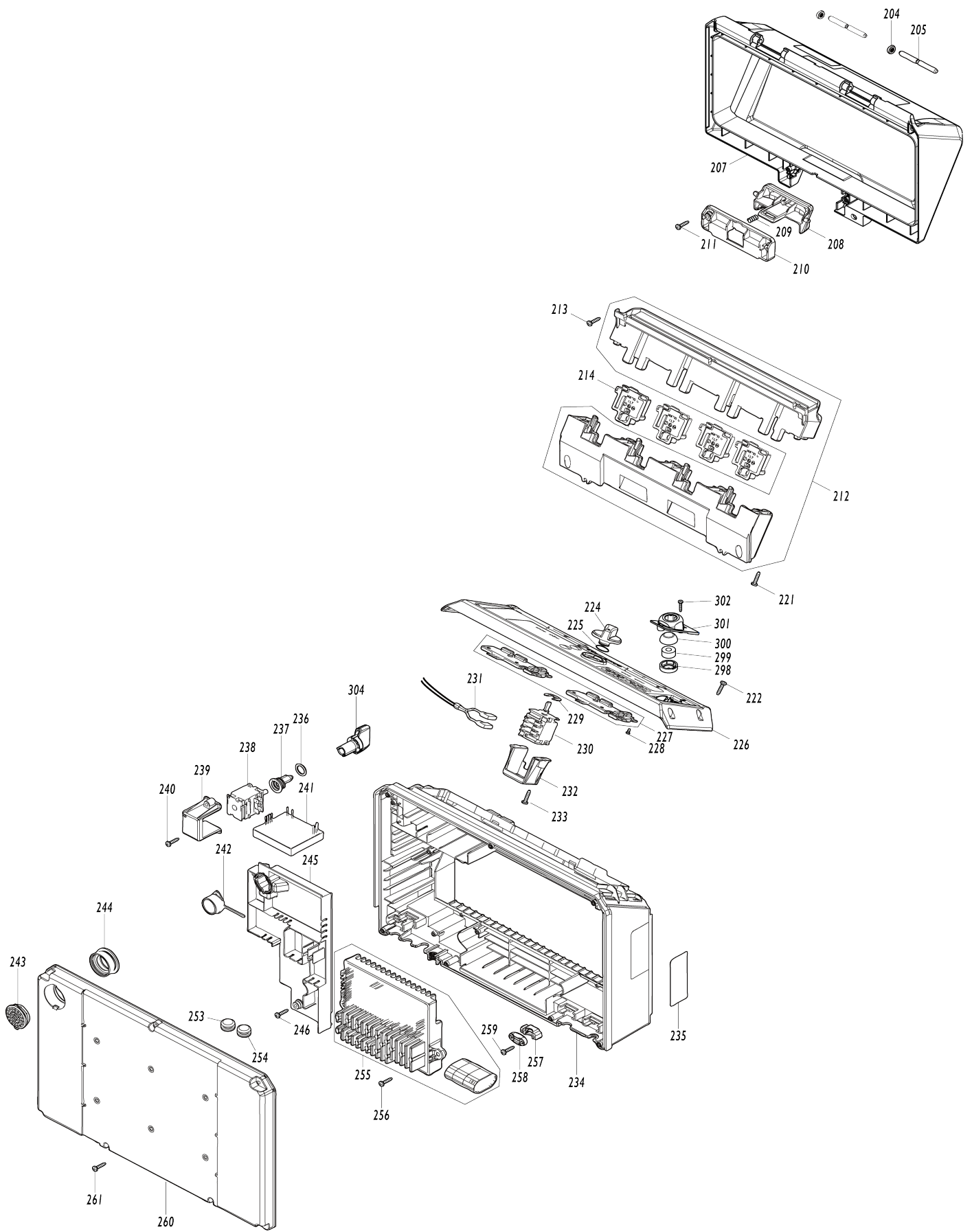
44



# Model No.DCU605 BATTERY POWERED WHEELBARROW

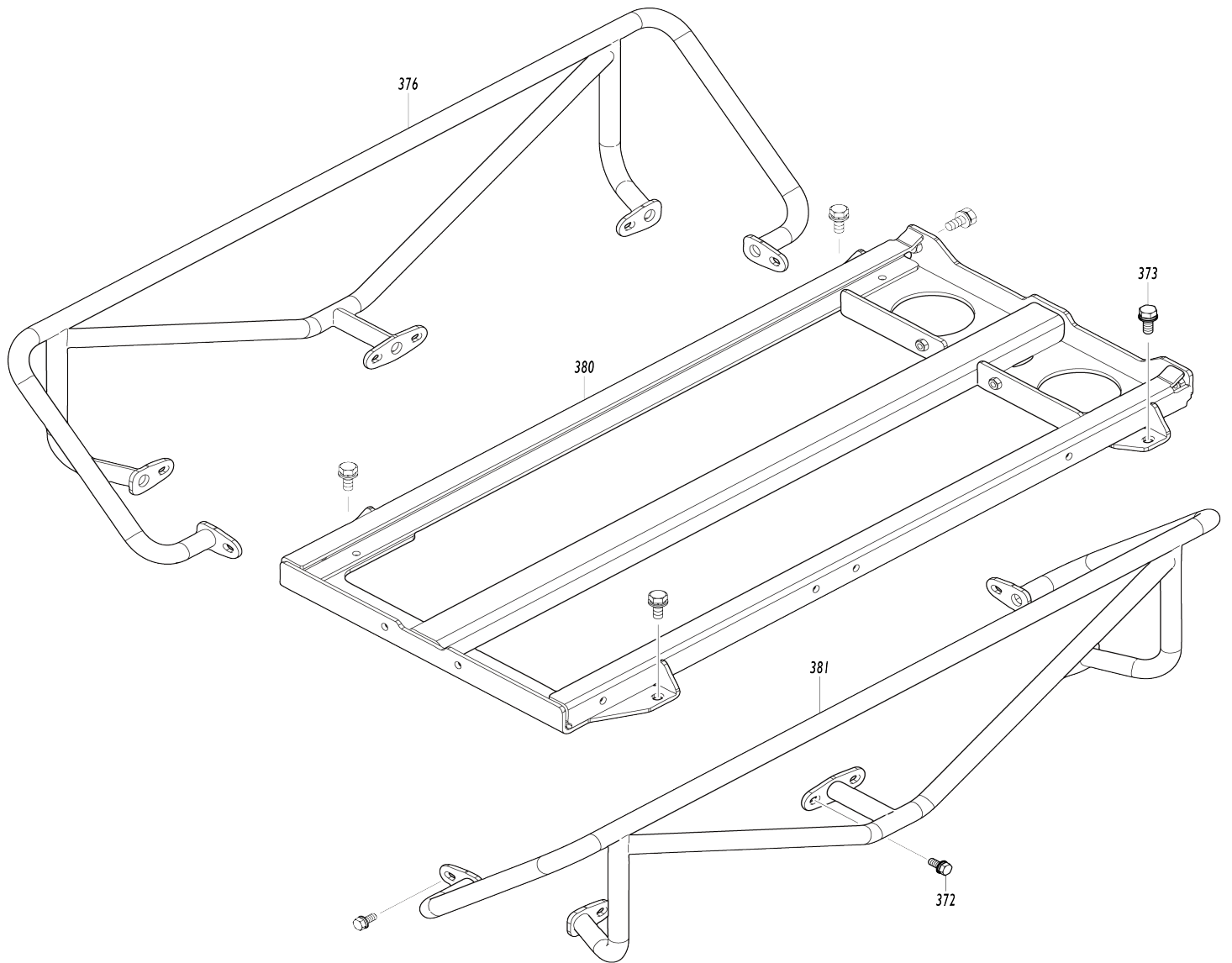


# Model No.DCU605 BATTERY POWERED WHEELBARROW





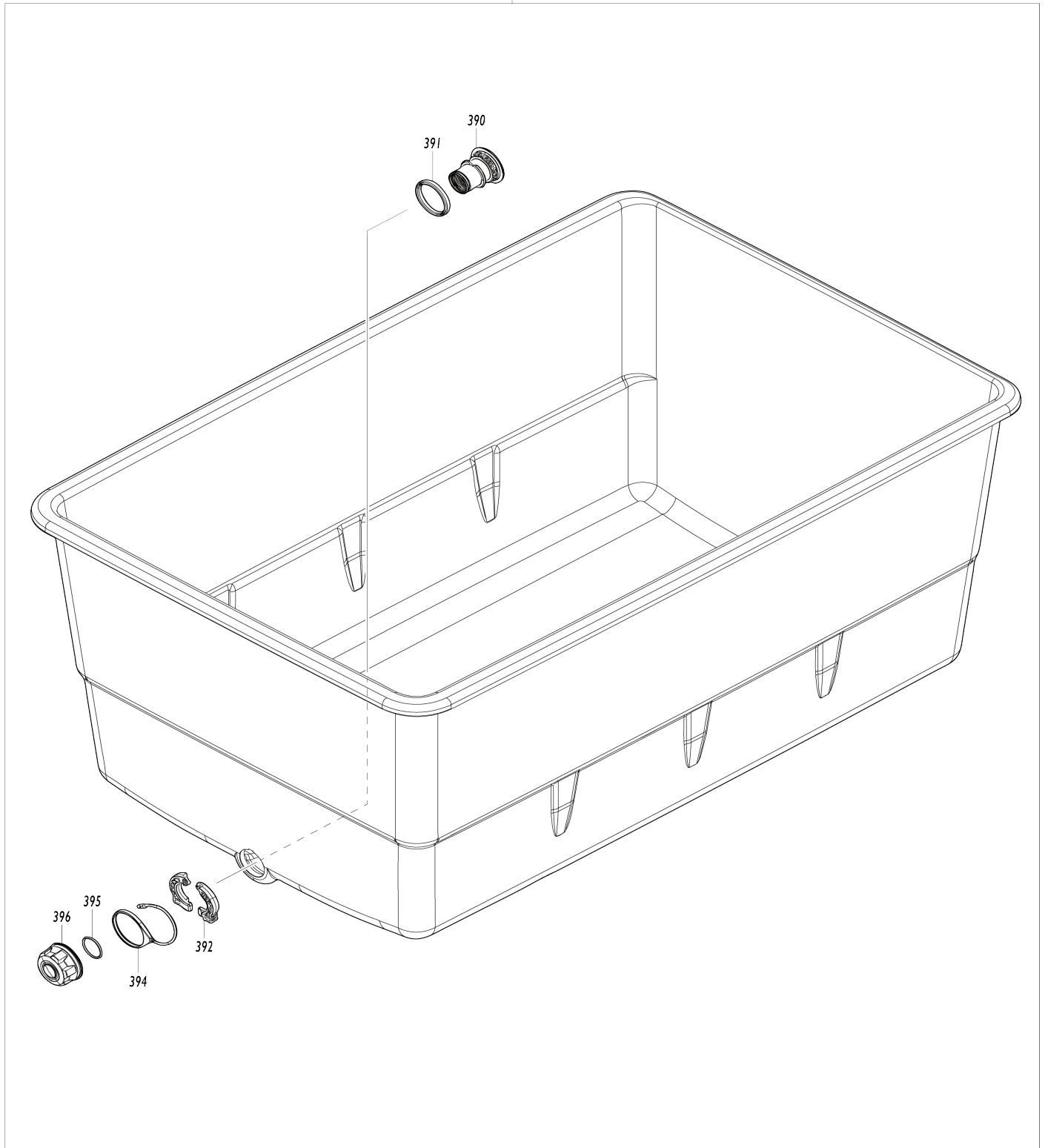
Model No.DCU605 BATTERY POWERED WHEELBARROW





Model No.DCU605 BATTERY POWERED WHEELBARROW

388



Model No.DCU605 BATTERY POWERED WHEELBARROW

Item No.	Parts No.	Description	Interchangability	Q'ty	New/Old	Sales Price (BGN)	Purchase Price(BGN)	Note1	Note2
001	412561-2	CORD COVER		1					
002	265B11-6	HEX. BOLT M8X20 WITH WR		1					
003	141P49-8	MAIN FRAME COMPLETE		1					
C10	8064B2-0	INDICATION LABEL		1					
004	256940-2	PIN 14		1					
005	327472-7	BASE SHAFT 25		1					
006	961062-2	STOP RING E-12		1		0,29		STOCK	0
008	261163-9	RUBBER WASHER 25		1					
009	687F01-7	BAND		1					
010	265D23-1	HEX. S.H.B M6X22 WITH GM		2					
011	136868-9	BRAKE CALIPER R ASS'Y		1					
011		INC. 305							
012	265C76-4	HEX. BOLT M5X35 WITH WR		2					
014	347993-3	SCRAPER		1					
015	347995-9	CLAMP R		1					
016	265C76-4	HEX. BOLT M5X35 WITH WR		2					
018	347994-1	CLAMP L		1					
019	347993-3	SCRAPER		1					
020	265D23-1	HEX. S.H.B M6X22 WITH GM		2					
021	136869-7	BRAKE CALIPER L ASS'Y		1					
021		INC. 306							
022	265B11-6	HEX. BOLT M8X20 WITH WR		2					
023	265B11-6	HEX. BOLT M8X20 WITH WR		2					
024	232737-3	COMPRESSION SPRING 19		1					
025	413D27-9	NEUTRAL LEVER LOCK		1					
026	265C46-3	HEX. BOLT M4X12 WITH WG		1					
027	413D28-7	BRAKE EQUALIZER COVER		1					
028	347629-4	CABLE CLAMP		1					
029	265B14-0	H.S.H.BOLT M6X20 WITH WR		1					
030	961004-6	RETAINING RING (EXT) S-8		1		0,29		X48	9
031	253165-9	FLAT WASHER 8		3		0,86		02512A	6
032	319906-4	BRAKE EQUALIZER R		1					
033	140P25-9	BRAKE CABLE 370		1					
034	319905-6	BRAKE EQUALIZER L		1					
036	140P25-9	BRAKE CABLE 370		1					
038	256A03-0	ROD 4.5		1					
039	961017-7	STOP RING E-3		2		0,29		X51	33
040	252289-8	HEX. CAP NUT M14		4					
041	253475-4	SPRING WASHER 14		4					
042	141G99-9	TIRE 330 R ASSEMBLY		1					
042		INC. 123-126,128-130							
044	141H00-0	TIRE 330 L ASSEMBLY		1					
044		INC. 48-54							
045	253475-4	SPRING WASHER 14		4					
046	252289-8	HEX. CAP NUT M14		4					
047	347621-0	CLAMP 57		2					
048	265C39-0	HEX. FLANGE HD. BOLT M6X16		8					

049	347950-1	WHEEL 150		1				
050	422857-3	TIRE 330		1				
051	162B39-4	TUBE 330		1				
C10	GQ00000001	VALVE CAP M8		1				
052	347949-6	WHEEL 150		1				
053	253551-4	FLAT WASHER 6		8				
054	252308-0	HEX. NUT M6-10		8				
058	122E51-4	MOTOR ASSEMBLY		1				
059	347698-5	DIFF BRACKET		1				
060	347A16-3	NEUTRAL LEVER		1				
061	347697-7	NEUTRAL LEVER HOLDER		1				
062	232616-5	TORSION SPRING 14		1				
063	413D41-5	NEUTRAL CHANGE LEVER		1				
064	253430-6	FLAT WASHER 8		1				
065	265465-5	SHOULDER HEX. BOLT M6		1				
066	NP00000001	SPLIT PIN 3-35		2				
067	NP00000002	HEX. NUT M20		2				
068	NP00000003	SPRING WASHER 22		2				
069	313304-4	HUB		2				
070	347208-8	BRAKE DISC		2	21,48		03531A	1
071	141P62-6	PLATE COMPLETE		2				
072	265C87-9	H.S.B. HEAD SCREW M5X12		12				
073	327626-6	SLEEVE 25		2				
074	NP00000004	KEY 6		2				
075	122D22-5	DIFFERENTIAL GEAR UNIT		1				
075		INC. 66-74						
077	122C29-5	TURNING LOCK R ASSEMBLY		1				
077		INC. 78-85						
078	413D33-4	LOCK LEVER		1				
079	327938-7	SNAP RETAINER		1				
080	268181-8	PIN 3		1				
081	413D32-6	LIFTER GUIDE R		1				
082	232617-3	COMPRESSION SPRING 10		1				
083	253173-0	FLAT WASHER 10		1	0,57		STOCK	0
084	961013-5	STOP RING E-7		1	0,29		T7D31B	5
085	256A04-8	PIN 10		1				
086	265C46-3	HEX. BOLT M4X12 WITH WG		2				
087	122C28-7	TURNING LOCK L ASSEMBLY		1				
087		INC. 88-95						
088	413D33-4	LOCK LEVER		1				
089	327938-7	SNAP RETAINER		1				
090	268181-8	PIN 3		1				
091	413D31-8	LIFTER GUIDE L		1				
092	232617-3	COMPRESSION SPRING 10		1				
093	253173-0	FLAT WASHER 10		1	0,57		STOCK	0
094	961013-5	STOP RING E-7		1	0,29		T7D31B	5
095	256A04-8	PIN 10		1				
096	265C46-3	HEX. BOLT M4X12 WITH WG		2				
097	162712-4	REAR BASE		1				
098	265B13-2	HEX. BOLT M10X20 WITH WG		8				
106	265B10-8	HEX BOLT M12X40		1				
107	253460-7	FLAT WASHER 13		1				

109	213211-0	O RING 15		4	*	0,57		N23	2
109-1	213A73-2	O-RING 15	O	4					
112	327646-0	AXLE 20		1					
113	253460-7	FLAT WASHER 13		1					
114	265B10-8	HEX BOLT M12X40		1					
115	136835-4	HEX. SLEEVE 20 ASS'Y		1					
C10	263027-3	RUBBER PIN 4		1		0,57		Z53	1
117	141H01-8	TIRE 210 ASSEMBLY		2					
117		INC. 131-134,136-139							
118	257498-4	RING 20		1					
121	136835-4	HEX. SLEEVE 20 ASS'Y		1					
C10	263027-3	RUBBER PIN 4		1		0,57		Z53	1
122	127457-1	CASTER 210 ASSEMBLY		2					
122		INC. 106,107,109,112-115,							
122		INC. 117,118,121							
123	265C39-0	HEX. FLANGE HD. BOLT M6X16		8					
124	347950-1	WHEEL 150		1					
125	422857-3	TIRE 330		1					
126	162B39-4	TUBE 330		1					
C10	GQ00000001	VALVE CAP M8		1					
128	347949-6	WHEEL 150		1					
129	253551-4	FLAT WASHER 6		8					
130	252308-0	HEX. NUT M6-10		8					
131	265C40-5	HEX. BOLT M8X20		4					
132	253552-2	FLAT WASHER 8		4					
133	347952-7	WHEEL 100		1					
134	422860-4	TIRE 210		1					
136	162B40-9	TUBE 210		1					
C10	GQ00000001	VALVE CAP M8		1					
137	347951-9	WHEEL 100		1					
138	253552-2	FLAT WASHER 8		4					
139	252309-8	HEX. NUT M8-13		4					
145	183X90-3	SWITCH BOX SET		1					
C10	8065A9-5	CAUTION LABEL		1					
145		INC. 162							
146	140P26-7	SWITCH CIRCUIT COMPLETE		1					
C10	183X57-1	SWITCH PLATE SET		1					
C20	266490-9	TAPPING SCREW PT 2X6		3		0,12		Z155B	7
147	346249-1	PIPE CLAMP 28		1					
148	265A97-4	H.S.H.BOLT M5X16 WITH WR		1					
149	232738-1	TORSION SPRING 11		1					
150	412206-2	SWITCH LEVER		1					
151	422554-1	LEVER COVER		1					
152	651395-0	SWITCH C3JW-6B-PA6N		1		43,68		07333B	0
153	620C26-0	LED CIRCUIT		1					
154	699178-0	POWER SUPPLY CORD UNIT		1					
155	266130-9	TAPPING SCREW BIND PT 3X16		2		0,29		Z72	94
156	122C26-1	BUZZER SWITCH ASSEMBLY		1					
C10	632T14-7	SWITCH UNIT		1					
161	422555-9	SWITCH COVER		1					
162	183X90-3	SWITCH BOX SET		1					

C10	8065A9-5	CAUTION LABEL		1				
162		INC. 145						
163	266130-9	TAPPING SCREW BIND PT 3X16		6	0,29		Z72	94
164	265C98-4	HEX SOCKET HEAD BOLT M5X25		2				
165	312C48-1	CLAMP 22		1				
166	266130-9	TAPPING SCREW BIND PT 3X16		2	0,29		Z72	94
167	312C44-9	ADJUST NUT		1				
168	312C43-1	ADJUST BOLT		1				
169	413D25-3	SWITCH HOLDER		1				
170	632T13-9	SWITCH UNIT		1				
173	127458-9	BRAKE LEVER ASSEMBLY		1				
173		INC. 166-170						
182	140P23-3	BRAKE CABLE 1590		1				
187	140T47-3	HANDLE R COMPLETE		1				
188	141H20-4	HANDLE LOCK KNOB		2				
C10	232739-9	COMPRESSION SPRING 15		2				
C20	313400-8	SPRING HOLDER		2				
193	140P15-2	HANDLE L COMPLETE		1				
197	141H20-4	HANDLE LOCK KNOB		2				
C10	232739-9	COMPRESSION SPRING 15		2				
C20	313400-8	SPRING HOLDER		2				
199	141N97-5	HANDLE BASE COMPLETE		1				
C10	8059G2-2	INDICATION LABEL		1				
200	412562-0	HANDLE BASE COVER		1				
201	265B11-6	HEX. BOLT M8X20 WITH WR		4				
202	265A96-6	H.S.H.BOLT M5X14 WITH WR		6				
204	262206-0	RUBBER RING 6		2				
205	256942-8	ROD 6		2				
207	141K01-6	BATTERY COVER COMPLETE		1				
C10	8048W7-5	CAUTION LABEL		1				
C20	8059G1-4	INDICATION LABEL		1				
C30	816M70-5	INDICATION LABEL		1				
208	412195-1	BATTERY COVER HOOK		1				
209	231240-1	COMPRESSION SPRING 7		1	0,57		N102	3
210	412533-7	HOOK RETAINER		1				
211	266326-2	TAPPING SCREW 4X18		2	0,29		STOCK	0
212	183V34-1	TERMINAL CASE SET		1				
C10	263005-3	RUBBER PIN 6		8	0,29		Z52	23
213	266326-2	TAPPING SCREW 4X18		5	0,29		STOCK	0
214	644809-6	TERMINAL		4	6,42		07734A	8
215	961004-6	RETAINING RING (EXT) S-8		1	0,29		X48	9
216	265C85-3	HEX SOCKET HEAD BOLT M6X12		2				
217	265C86-1	HEX SOCKET HEAD BOLT M6X22		2				
218	265C86-1	HEX SOCKET HEAD BOLT M6X22		3				
219	347A43-0	SPACER 6		3				
221	266326-2	TAPPING SCREW 4X18		5	0,29		STOCK	0
222	266326-2	TAPPING SCREW 4X18		4	0,29		STOCK	0
224	412196-9	CHANGE LEVER		1				
225	213A15-6	O-RING 14		1				
226	141L75-3	TOP COVER COMPLETE		1				
C10	8048W3-3	INDICATION LABEL		1				
227	620C24-4	INDICATION CIRCUIT		1				

228	265C42-1	TAPPING SCREW 3X6		10				
229	961062-2	STOP RING E-12		1	0,29		STOCK	0
230	651444-3	SWITCH 1703.4703		1	22,08		07623B	1
231	638A27-2	LEAD UNIT		1				
232	451343-7	SWITCH HOLDER		1				
233	266326-2	TAPPING SCREW 4X18		2	0,29		STOCK	0
234	412188-8	CENTER CASE		1				
235	8118M7-8	DCU605 NAME PLATE		1				
236	213A15-6	O-RING 14		1				
237	413D29-5	KEY JOINT		1				
238	650622-2	SWITCH		1	14,34		07312A	1
239	451343-7	SWITCH HOLDER		1				
240	266326-2	TAPPING SCREW 4X18		2	0,29		STOCK	0
241	620G67-0	CONTROLLER		1				
242	620C25-2	BUZZER CIRCUIT		1				
243	413D35-0	BUZZER COVER		1				
244	422840-0	GROMMET		1				
245	412194-3	INNER CASE		1				
246	266326-2	TAPPING SCREW 4X18		2	0,29		STOCK	0
253	682114-3	GROMMET		1				
254	682114-3	GROMMET		1				
255	620D13-5	CONTROLLER		1				
256	266326-2	TAPPING SCREW 4X18		2	0,29		STOCK	0
257	687051-6	STRAIN RELIEF		1	0,86		07421A	3
258	687124-5	STRAIN RELIEF		1	0,29		07421A	2
259	266326-2	TAPPING SCREW 4X18		2	0,29		STOCK	0
260	412190-1	FRONT COVER		1				
261	266326-2	TAPPING SCREW 4X18		7	0,29		STOCK	0
264	699180-3	POWER SUPPLY CORD UNIT		1				
265	699181-1	POWER SUPPLY CORD UNIT		1				
266	265B16-6	HEX. BOLT M6X16 WITH WR		1				
267	265B17-4	HEX. BOLT M5X16 WITH WR		2				
268	347622-8	LIGHT STAY R		1				
269	319594-7	LIGHT CASE		1	21,60		03241B	1
270	213656-2	O RING 53		1	0,63		N54	16
271	457636-0	REFLECTOR		1	5,10		04643B	1
272	457634-4	LENS		1	2,04		04643B	1
273	213604-1	O RING 50		1	2,84		N51	2
274	457635-2	COVER		1	3,18		04643B	1
275	687124-5	STRAIN RELIEF		1	0,29		07421A	2
276	266034-5	TAPPING SCREW CT 4X16		2	0,29		Z67	12
277	687124-5	STRAIN RELIEF		1	0,29		07421A	2
278	266034-5	TAPPING SCREW CT 4X16		2	0,29		Z67	12
279	620685-2	LED CIRCUIT		1	11,52		07121A	1
280	422151-3	PACKING		1	2,52		04421A	1
281	319595-5	LIGHT CASE COVER		1	10,44		03241B	1
282	266034-5	TAPPING SCREW CT 4X16		4	0,29		Z67	12
283	265B16-6	HEX. BOLT M6X16 WITH WR		1				
284	265B17-4	HEX. BOLT M5X16 WITH WR		2				
285	347623-6	LIGHT STAY L		1				
286	319594-7	LIGHT CASE		1	21,60		03241B	1

287	457634-4	LENS		1	2,04		04643B	1
288	457636-0	REFLECTOR		1	5,10		04643B	1
289	213656-2	O RING 53		1	0,63		N54	16
290	213604-1	O RING 50		1	2,84		N51	2
291	457635-2	COVER		1	3,18		04643B	1
292	266034-5	TAPPING SCREW CT 4X16		2	0,29		Z67	12
293	687124-5	STRAIN RELIEF		1	0,29		07421A	2
294	620685-2	LED CIRCUIT		1	11,52		07121A	1
295	422166-0	PACKING		1	2,52		04421B	1
296	319595-5	LIGHT CASE COVER		1	10,44		03241B	1
297	266034-5	TAPPING SCREW CT 4X16		4	0,29		Z67	12
298	413D37-6	LEVEL CASE		1				
299	242101-0	LEVEL INDICATOR		1				
300	413D36-8	LEVEL COVER		1				
301	413D38-4	LEVEL RETANER		1				
302	266130-9	TAPPING SCREW BIND PT 3X16		2	0,29		Z72	94
303	687F00-9	BAND		1				
304	413D30-0	KEY		1				
305	422961-8	PAD RETAINER		1				
306	422961-8	PAD RETAINER		1				
372	265B11-6	HEX. BOLT M8X20 WITH WR		12				
373	265508-3	HEX.BOLT M10X25		6	1,15		Z145	5
376	162724-7	FLAT BUCKET GUARD		1				
380	162723-9	FLAT BUCKET BASE		1				
381	162724-7	FLAT BUCKET GUARD		1				
388	122C32-6	FLAT BUCKET 250 ASSEMBLY		1				
388		INC. 390-392,394-396						
390	413B67-5	NOZZLE G3/4		1				
391	422842-6	PACKING 44		1				
392	413D40-7	LOCK RING		2				
394	413D39-2	STRAP		1				
395	213412-0	O RING 29		1	2,13		STOCK	0
396	413B68-3	CAP 50		1				
397	941201-0	FLAT WASHER 8		1	0,29		X42	4
F01	1911B3-6	FLAT BUCKET SET		1				
F02	1911K4-7	TIRE 330 (SINGLE) SET		1				
F03	1911K5-5	GRAY TIRE 330 (SINGLE) SET		1				
F04	1911K6-3	GRAY TIRE 210 (SINGLE) SET		1				

Please state Parts No. when your order.

Print Date 30.01.2025 r.